

## Avide LED Ceiling Lamp Surface Mounted Square ALU 6W NW 4000K

<b>Product code:</b>	ACSMNW-S-6W-ALU
<b>Brand link:</b>	<a href="https://avidelighting.com/qr/ACSMNW-S-6W-ALU">avidelighting.com/qr/ACSMNW-S-6W-ALU</a>
<b>ID:</b>	AB-190518
<b>Company name:</b>	Bramcke Hungary Kft.
<b>Company address:</b>	Kishatár utca 17., 4031 Debrecen



Date of issue: 2024-09-10

Page: 1/3

### SPECIFICATIONS

EAN code:	5999097912066
Warranty:	3year(s)
Material:	Aluminium
Working temperature:	-20 - +40°C
Packaging:	1/b 50/c 1600/p
Certifications:	CE

### TECHNICAL DETAILS

Wattage:	6W
Voltage:	220-240V
Beam angle:	120°
Dimmability:	No
Lumen output:	420lm
Color temperature:	
Lifetime:	25 000h
Energy class:	
Type of LED:	SMD
CRI:	80
IP standard:	IP20

### BOX PICTURE



## Avide LED Ceiling Lamp Surface Mounted Square ALU 6W NW 4000K

**Product code:** ACSMNW-S-6W-ALU  
**Brand link:** [avidelighting.com/qr/ACSMNW-S-6W-ALU](https://avidelighting.com/qr/ACSMNW-S-6W-ALU)  
**ID:** AB-190518  
**Company name:** Bramcke Hungary Kft.  
**Company address:** Kishatár utca 17., 4031 Debrecen

QR code:



Date of issue: 2024-09-10

Page: 2/3

### PRODUCT SIZE

Width: 120mm  
Height: 31.5mm

### CARDBOARD BOX

EAN: 5999097912066  
Packaging: 1/b 50/c 1600/p  
Dimensions: 125mm x 39mm x 125mm  
Net weight: 138g  
Gross weight: 148g

### CARTON

EAN: 5999097912073  
Packaging: 1/b 50/c 1600/p  
Dimensions: 645mm x 220mm x 270mm  
Net weight: 6.9kg  
Gross weight: 7.4kg

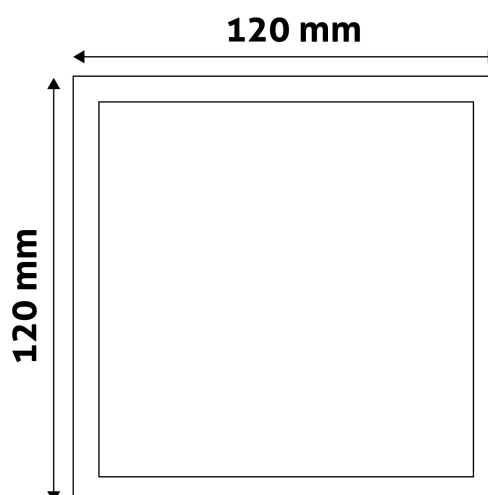
### PALLET EXAMPLE

Height:  
Width: 120cm (std Euro pallet)  
Mepth: 80cm (std Euro pallet)  
Cartons per pallet: 32carton/pallet  
Cartons per row:  
Net weight: 220.8kg  
Gross weight: 236.8kg

### PRODUCT PICTURE



### PRODUCT OUTLINE



Avide LED Ceiling Lamp Surface Mounted Square ALU 6W NW 4000K

**Product code:** ACSMNW-S-6W-ALU  
**Brand link:** [avidelighting.com/qr/ACSMNW-S-6W-ALU](https://avidelighting.com/qr/ACSMNW-S-6W-ALU)  
**ID:** AB-190518  
**Company name:** Bramcke Hungary Kft.  
**Company address:** Kishatár utca 17., 4031 Debrecen

QR code:



**Date of issue:** 2024-09-10

**Page:** 3/3

PRODUCT DESCRIPTION