

## Avide GU10 Frame Square Copper

<b>Product code:</b>	ABGU10F-S-CO
<b>Brand link:</b>	<a href="https://avidelighting.com/qr/ABGU10F-S-CO">avidelighting.com/qr/ABGU10F-S-CO</a>
<b>ID:</b>	AB-190518
<b>Company name:</b>	Bramcke Hungary Kft.
<b>Company address:</b>	Kisatár utca 17., 4031 Debrecen

QR code:



Date of issue: 2024-09-10

Page: 1/3

### SPECIFICATIONS

EAN code:	5999097911700
Warranty:	2year(s)
Socket:	GU10
Color:	Copper
Material:	Metal
Working temperature:	
Packaging:	1/b 100/c 3200/p
Certifications:	CE

### TECHNICAL DETAILS

Wattage:	
Voltage range:	220-240V
Inner diameter:	55mm
Cut out size:	50mm
Swivel:	No
IP standard:	IP20

### BOX PICTURE



## Avide GU10 Frame Square Copper

**Product code:** ABGU10F-S-CO  
**Brand link:** [avidelighting.com/qr/ABGU10F-S-CO](https://avidelighting.com/qr/ABGU10F-S-CO)  
**ID:** AB-190518  
**Company name:** Bramcke Hungary Kft.  
**Company address:** Kishatár utca 17., 4031 Debrecen



**Date of issue:** 2024-09-10

**Page:** 2/3

### PRODUCT SIZE

**Width:** 74mm  
**Height:** 31mm

### CARDBOARD BOX

**EAN:** 5999097911700  
**Packaging:** 1/b 100/c 3200/p  
**Dimensions:** 92mm x 36mm x 132mm  
**Net weight:** 50.1g  
**Gross weight:** 66.6g

### CARTON

**EAN:** 5999097911717  
**Packaging:** 1/b 100/c 3200/p  
**Dimensions:** 485mm x 220mm x 390mm  
**Net weight:** 5.01kg  
**Gross weight:** 6.66kg

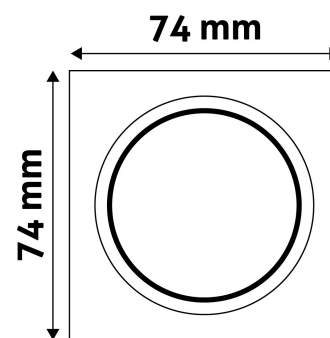
### PALLET EXAMPLE

**Height:**  
**Width:** 120cm (std Euro pallet)  
**Meprh:** 80cm (std Euro pallet)  
**Cartons per pallet:** 32carton/pallet  
**Cartons per row:**  
**Net weight:** 160.32kg  
**Gross weight:** 213.12kg

### PRODUCT PICTURE



### PRODUCT OUTLINE



## Avide GU10 Frame Square Copper

**Product code:** ABGU10F-S-CO  
**Brand link:** [avidelighting.com/qr/ABGU10F-S-CO](https://avidelighting.com/qr/ABGU10F-S-CO)  
**ID:** AB-190518  
**Company name:** Bramcke Hungary Kft.  
**Company address:** Kishatár utca 17., 4031 Debrecen

QR code:



**Date of issue:** 2024-09-10

**Page:** 3/3

### PRODUCT DESCRIPTION